

#66 Brus

PROPERTY PLAT

Acquired from REESTABLISHED 66'
(Name of owner must agree exactly with Name in which property stands of Record.)

Married or Single? _____
(Give full name of spouse)

R. O. W. Area _____ Acres.

Borrow Area _____ Acres. Total Consideration \$ _____

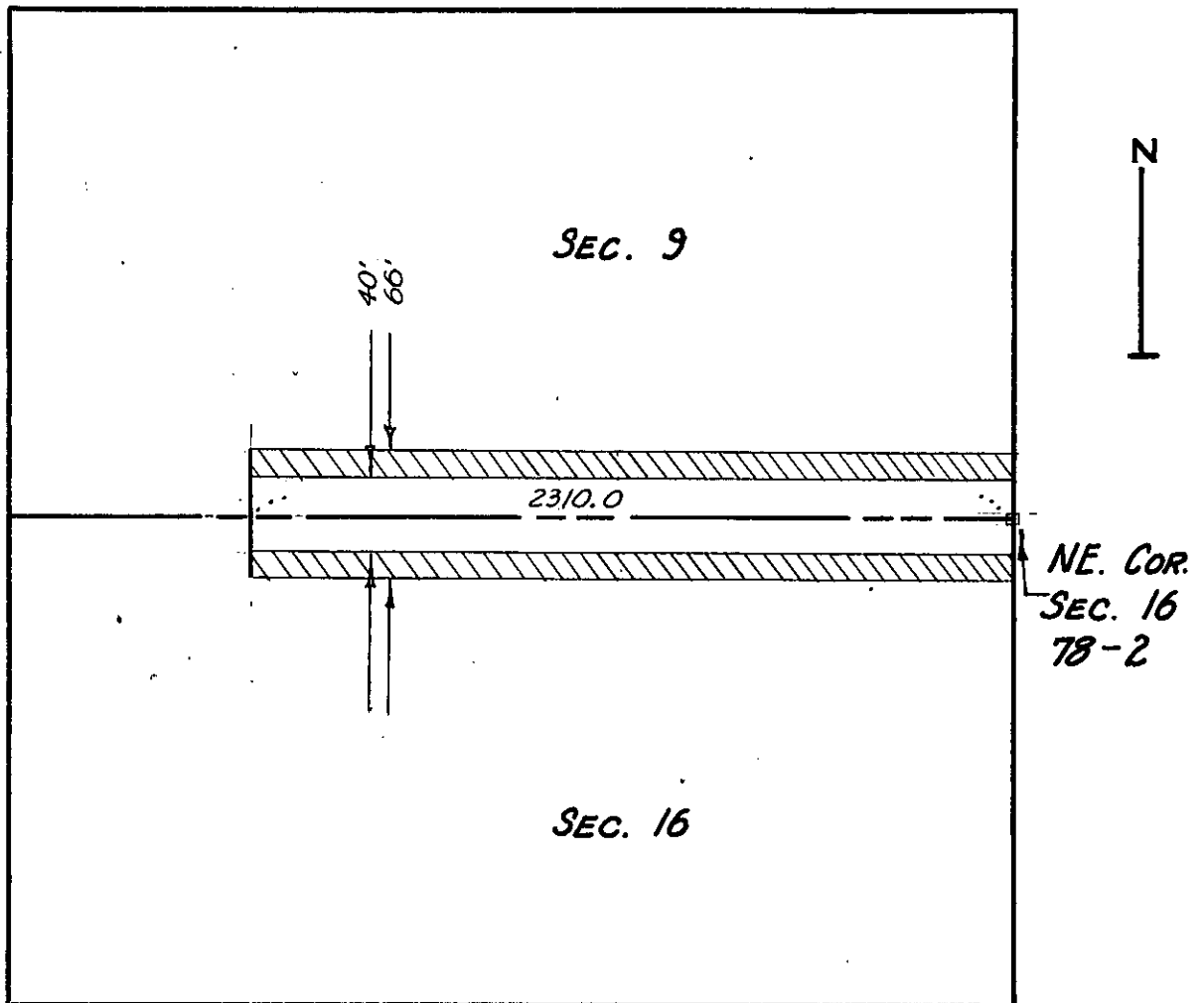
Acquired by CONSENT PETITION Date of Contract _____, 19____
(Easement—Deed—Condemnation—Contract)

LOCATION

From CL Station 0+00.0 to CL Station 23+10

Section 9 & 16, Township 78, Range 2E

Township (Civil) BLUE GRASS, County of SCOTT Iowa.



SCOTT
(County)

Project No. # 257