

PROPERTY PLAT

Acquired from E. FRED JANSEN & Wf.

Married or Single? _____ (Give full name of spouse)

R. O. W. Area 0.20 ± Acres.

Borrow Area _____ Acres. Total Consideration \$ _____

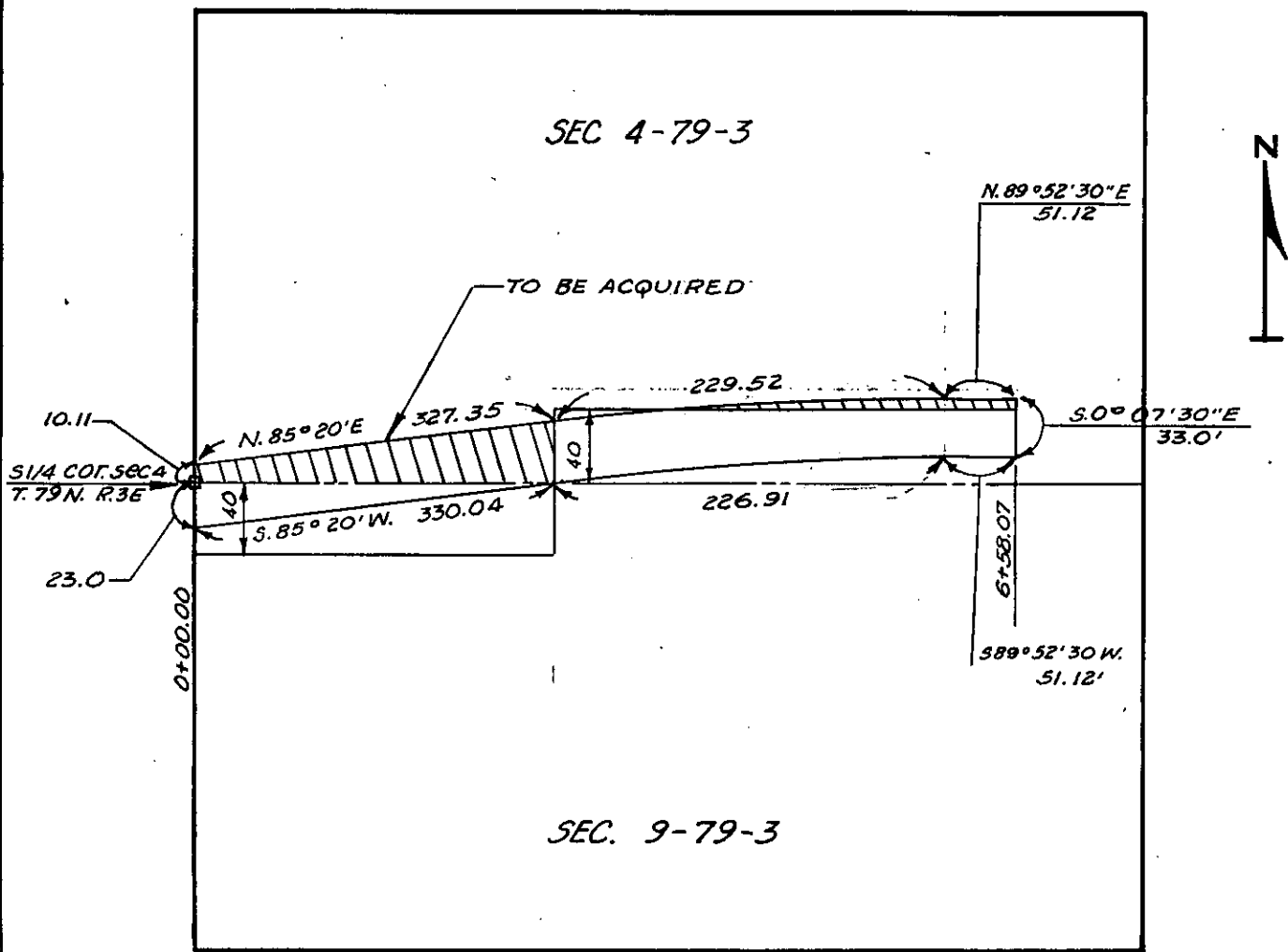
Acquired by EASEMENT Date of Contract _____, 19____
(Easement—Deed—Condemnation—Contract)

LOCATION

From CL Station 0+00.00 to CL Station 6+58.07

Section 4; Township 79N, Range 3E

Township (Civil) SHERIDAN Iowa.



SCOTT
(County)

Project No. 4256 PROP # 1