

Parcel No.

PROPERTY PLAT

Acquired from KENNETH & MARY JO EWOLDT

Married or Single?

R. O. W. Area 0.04 ± Acres. (Give full name of spouse)

Borrow Area Acres. Total Consideration \$.....

Acquired by EASEMENT Date of Contract, 19.....
(Easement—Deed—Condemnation—Contract)

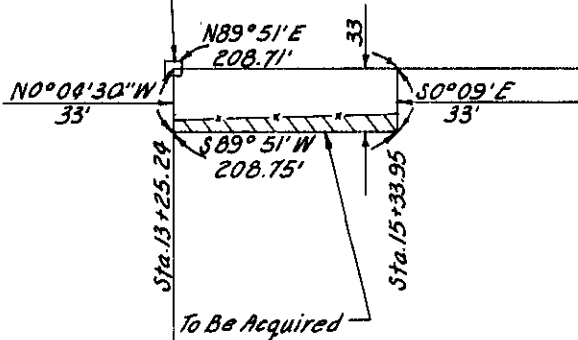
LOCATION

From CL Station 13+25.24 to CL Station 15+33.95

Section 33, Township 79 N, Range 5 E

Township (Civil) LECLAIRE Iowa.

W 1/4 Cor. Sec. 33
T79N, R5E, 5P.17.



NW 1/4, SW 1/4 SEC. 33
T79N, R5E, 5P.17.

SCOTT
(County)

Project No. 3759 PROP. # 8