

Parcel No. ....

### PROPERTY PLAT

Acquired from HENRY VOELKERS

Married or Single? .....

R. O. W. Area 0.51± Acres. (Give full name of spouse)

Borrow Area ..... Acres. Total Consideration \$ .....

Acquired by EASEMENT Date of Contract ....., 19.....  
(Easement—Deed—Condemnation—Contract)

#### LOCATION

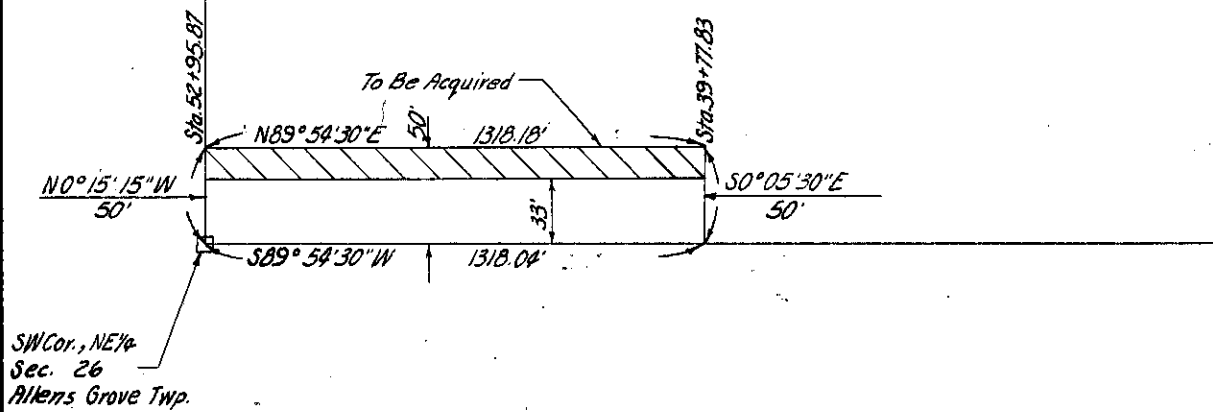
From CL Station 39+77.83 to CL Station 52+95.87

Section 26, Township 80 N, Range 2 E

Township (Civil) ALLENS GROVE Iowa.



*NE 1/4 SEC. 26  
T80N, R2E, 5P.M.*



SCOTT  
(County)

Project No. 1461 PROP #5