

PROPERTY PLAT

Acquired from C.M. ST. P. & P. RAILROAD

Married or Single? _____ (Give full name of spouse)

R. O. W. Area 0.01± Acres.

Borrow Area _____ Acres. Total Consideration \$ _____

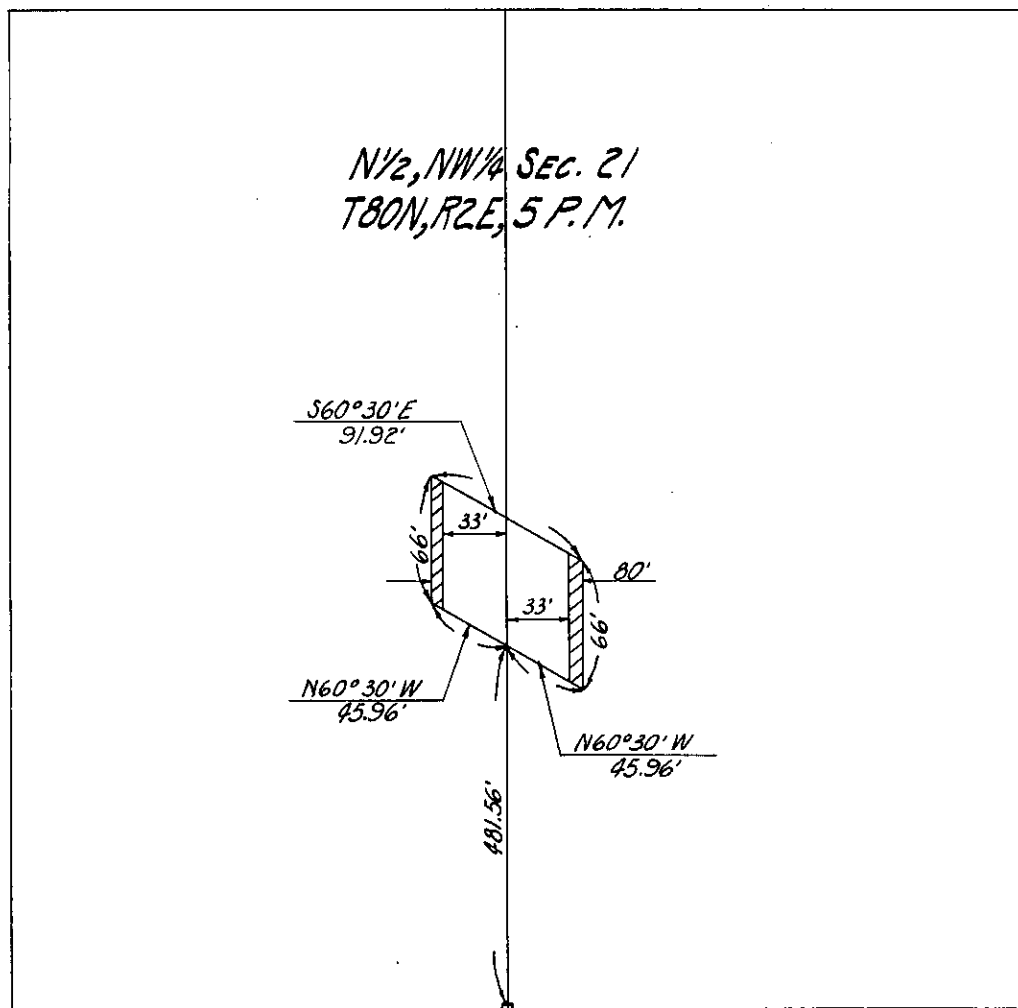
Acquired by EASEMENT Date of Contract _____, 19____
(Easement—Deed—Condemnation—Contract)

LOCATION

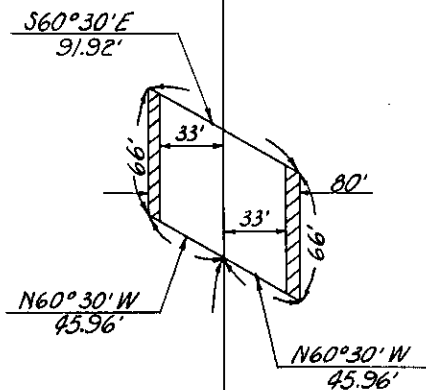
From CL Station 4+81.56 to CL Station 5+47.56

Section 21, Township 80 N, Range 2 E

Township (Civil) ALLENS GROVE Iowa.



NW 1/4 SEC. 21
T80N, R2E, 5P.M.



481.56'

SW Cor. NE 1/4, NW 1/4 Sec. 21
T80N, R2E, 5P.M.

SCOTT
(County)

Project No. 2659 PROP. #3