

UNITED STATES PUBLIC LAND SURVEY CORNER CERTIFICATE

OF

Land Survey Monuments situated in Section 35, Township T-80N, Range R-3E, of the Fifth Principal Meridian, SCOTT County, Iowa.
 Previously recorded in _____ in County Recorder's Office.

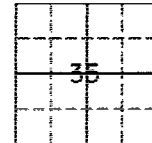
(book, page, document number, etc.)

(Show reason for preparing this certificate, the evidence and detailed procedures used in establishing the corner positions and monumentation found or placed.)

Monument Description and Remarks: SCOTT COUNTY TIE BOOKS

PLAN - VIEW

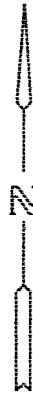
(Show a minimum of three reference ties to durable physical objects, relevant monuments and physical conditions that will enable recovery of the corner.)



Found Broken Off
 Reset New Mon.
 Put Fence Post near it

△

All Fences Gone.
 May-1969
 In open field



- △ Conc. Mon.
- Iron Pin
- Set Iron Pin

List Corners to be Indexed			
Corners	Section	Twp	Range
E. 1/4 Cor.	35	80N	3E

UNITED STATES PUBLIC LAND SURVEY CORNER CERTIFICATE

OF

Land Survey Monuments situated in Section 36, Township T-80N, Range R-3E, of the Fifth Principal Meridian, SCOTT County, Iowa. Previously recorded in _____ in County Recorder's Office.

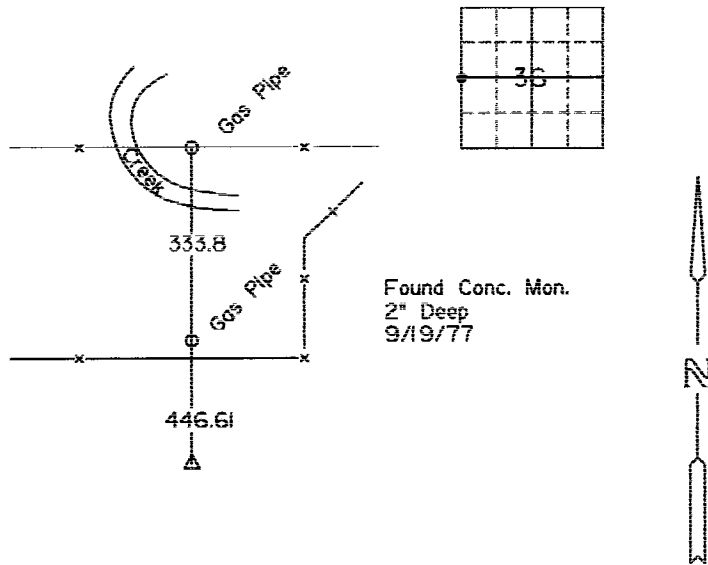
(book, page, document number, etc.)

(Show reason for preparing this certificate, the evidence and detailed procedures used in establishing the corner positions and monumentation found or placed.)

Monument Description and Remarks: SCOTT COUNTY TIE BOOKS

PLAN - VIEW

(Show a minimum of three reference ties to durable physical objects, relevant monuments and physical conditions that will enable recovery of the corner.)



Found Conc. Mon.
2" Deep
9/19/77

- △ Conc. Mon.
- Iron Pin
- Set Iron Pin

List Corners to be Indexed			
Corners	Section	Twp	Range
W. 1/4 Cor.	36	80N	3E