

UNITED STATES PUBLIC LAND SURVEY CORNER CERTIFICATE

OF

Land Survey Monuments situated in Section 2, Township T-79N, Range R-5E, of the Fifth Principal Meridian, SCOTT County, Iowa. Previously recorded in \_\_\_\_\_ in County Recorder's Office.

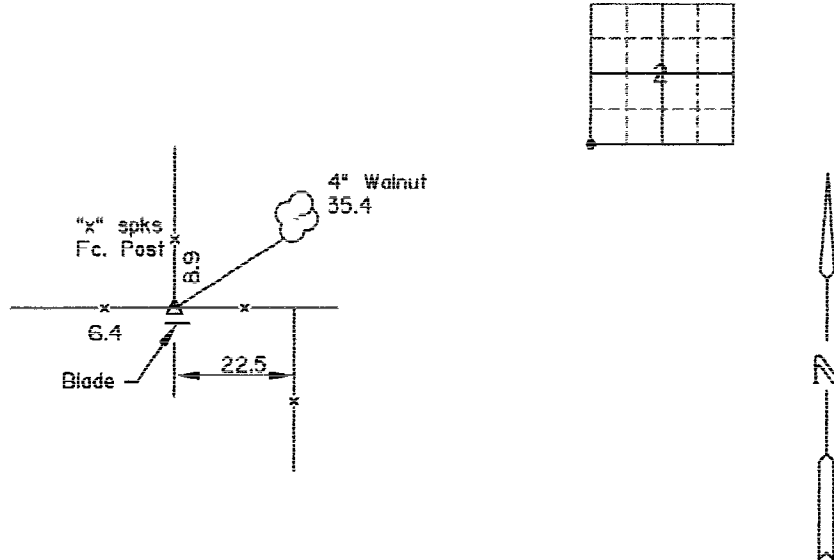
(book, page, document number, etc.)

(Show reason for preparing this certificate, the evidence and detailed procedures used in establishing the corner positions and monumentation found or placed.)

Monument Description and Remarks: Scott County Tie Books

PLAN - VIEW

(Show a minimum of three reference ties to durable physical objects, relevant monuments and physical conditions that will enable recovery of the corner.)



- Δ Conc. Mon.
- Iron Pin
- Set Iron Pin

List Corners to be Indexed			
Corners	Section	Twp	Range
SW. Cor.	2	79N	5E

UNITED STATES PUBLIC LAND SURVEY CORNER CERTIFICATE

OF

Land Survey Monuments situated in Section 10, Township T-79N, Range R-5E, of the Fifth Principal Meridian, SCOTT County, Iowa. Previously recorded in \_\_\_\_\_ in County Recorder's Office.

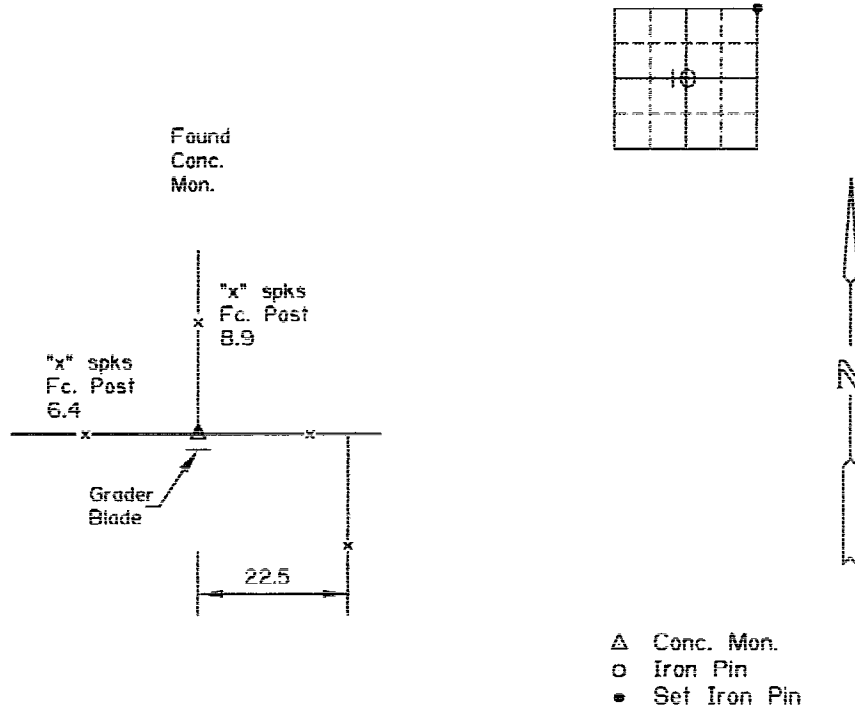
(book, page, document number, etc.)

(Show reason for preparing this certificate, the evidence and detailed procedures used in establishing the corner positions and monumentation found or placed.)

Monument Description and Remarks: Scott County Tie Books

PLAN - VIEW

(Show a minimum of three reference ties to durable physical objects, relevant monuments and physical conditions that will enable recovery of the corner.)



List Corners to be Indexed

Corners	Section	Twp	Range
NE. Cor.	10	79N	5E