

Land Survey Monuments situated in Section 32, Township 79 NORTH, Range 2 EAST, of the Fifth Principal Meridian, SCOTT County, Iowa.

Previously recorded in _____ (not previously recorded) _____ in County Recorder's Office.
 (book, page, document number, etc.)

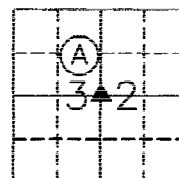
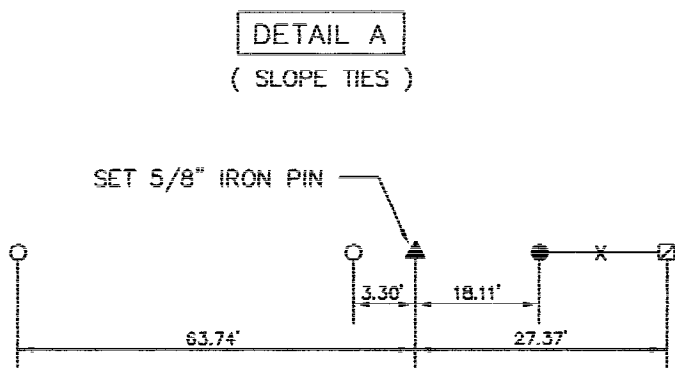
(Show reason for preparing this certificate, the evidence and detailed procedures used in establishing the corner positions and monumentation found or placed.)

Monument Description and Remarks: _____

SET 5/8" ϕ IRON PIN AT CENTER OF SECTION

PLAN - VIEW

(Show a minimum of three reference ties to durable physical objects, relevant monuments and physical conditions that will enable recovery of the corner.)



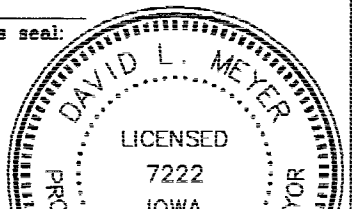
LEGEND

- NAIL W/ PLASTIC TAG IN FENCE POST
- NAIL W/ PLASTIC TAG IN GATE POST
- ☒ NAIL W/ PLASTIC TAG IN BRACE POST
- X-X- WIRE FENCE

I hereby certify that this land surveying document was prepared and the related survey work was performed by me or under my direct personal supervision and that I am a duly Licensed Land Surveyor under the laws of the State of Iowa.

Signature: _____
 David L. Meyer, P.E. & L.S., License Number 7222
 Date: FEBRUARY 24, 2005
 My license renewal date is December 31, 2006

THIS SHEET ONLY
 Pages or sheets covered by this seal:



LIST CORNERS TO BE INDEXED			
CORNERS	SECTION	TOWNSHIP	RANGE
CENTER	32	79N	2E