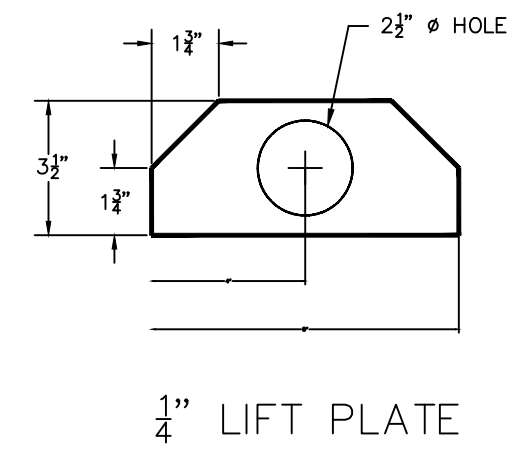
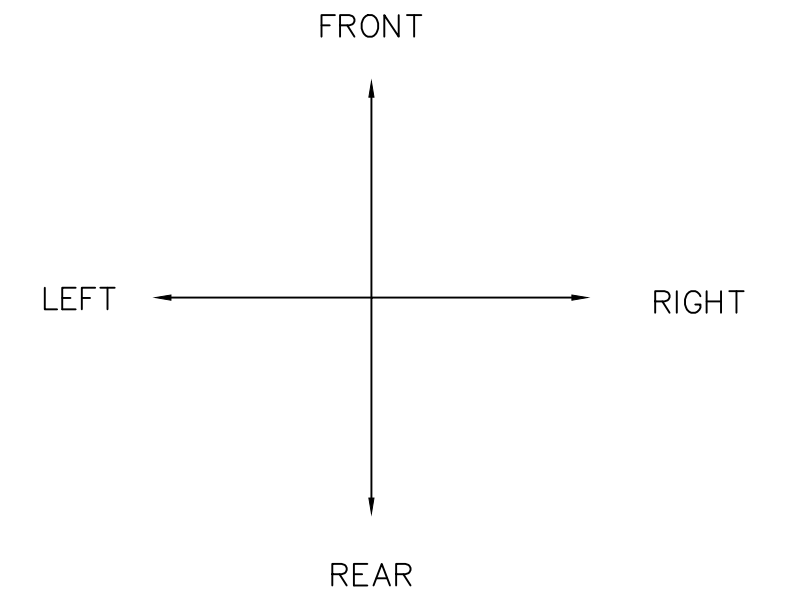


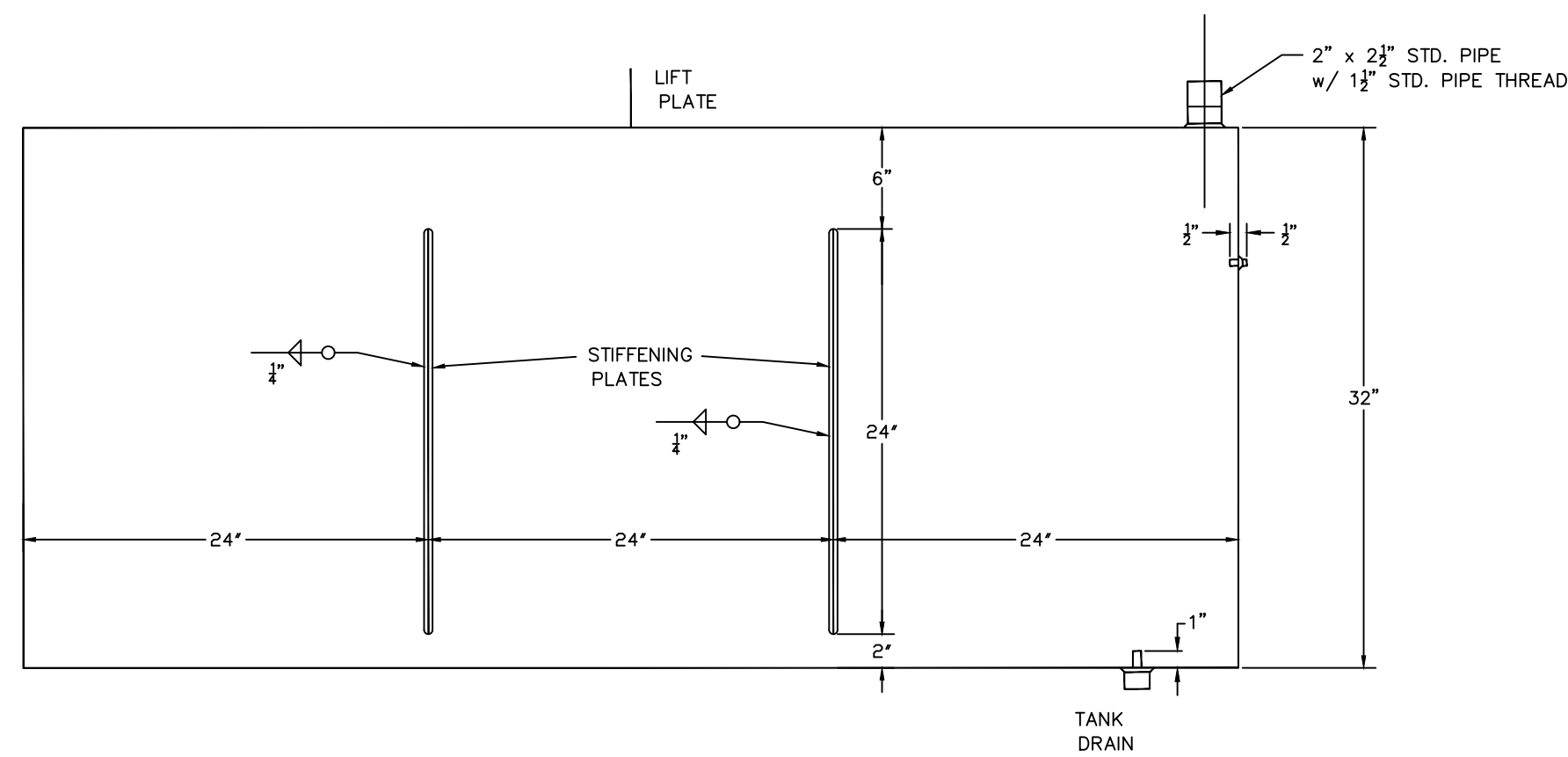
TOP VIEW



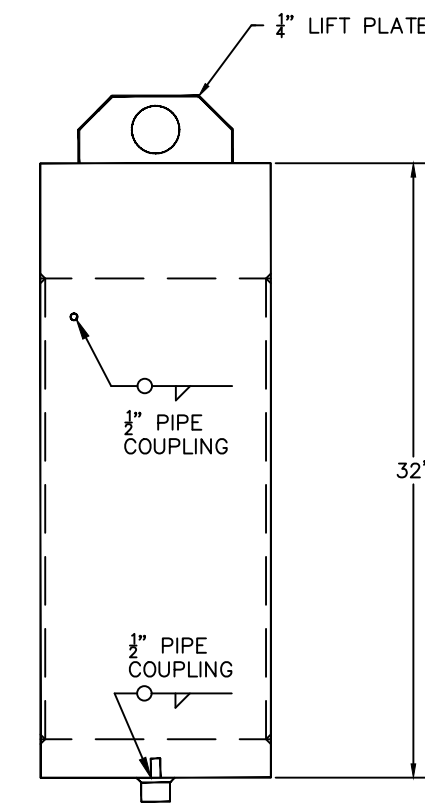
1/4" LIFT PLATE



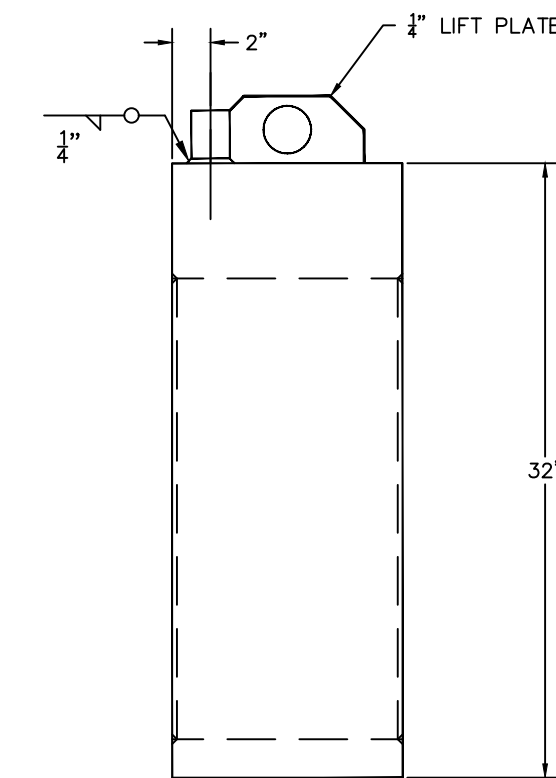
ORIENTATION OF TANK TO TRUCK



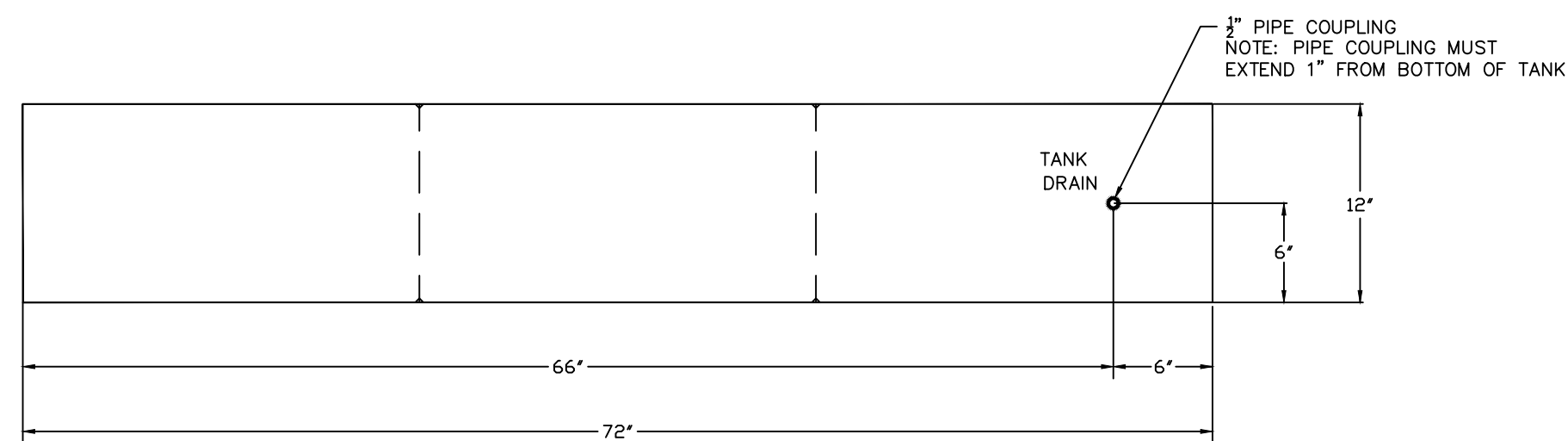
CUTAWAY FRONT VIEW



DRIVER SIDE VIEW



PASSENGER SIDE VIEW



BOTTOM VIEW

NOTES:

1. ALL TANK DIMENSIONS ARE OUT TO OUT.
2. ALL PIPE AND PIPE FITTINGS TO BE MADE OF BLACK IRON.
3. TANK MATERIAL TO BE 10 GAUGE BLACK IRON.
4. TANK SHALL BE GIVEN ONE COAT OF RUSTOLEUM ZINC CHROMATE METAL PRIMER.
5. SIDE OF TANK TOWARDS FRONT OF TRUCK TO BE SOLID - NO OPENINGS.
6. FUEL OPENING CAP SHALL BE VENTED BRASS CAP
7. FUEL TANK FILTER SHALL NOT BE ON TRUCK FRAME

Details of 100 Gallon Fuel Tank

SCALE: 1 INCH = 10 INCHES

REVISIONS		SHEET TITLE	DETAIL PLAN			DWG FILE	DATE
DATE							Aug 2012
G:\Secondary Roads\AngieK\Equipment\FUELTANK-2012.dwg		SCOTT COUNTY			PROJECT NUMBER	STATE	FHWA REGION
						IOWA	9
						FISCAL YEAR	SHEET NO.
						2013	C.01